

GREAT DANE TM

CHARIOT, SR.

PARTS CATALOG

25HP KAWASAKI ELECTRIC w/52" or 61" CUTTING DECK
SERIAL NUMBERS: 455000 - 455999

GDRZ25KHE

25HP KOHLER ELECTRIC w/52" or 61" CUTTING DECK
SERIAL NUMBERS: 457000 - 458999

GDRZ26KHE

26HP KOHLER ELECTRIC w/52" or 61" CUTTING DECK
SERIAL NUMBERS: 459000 - 460999



Part Number
D02-210
Rev. Date: 3-1-02

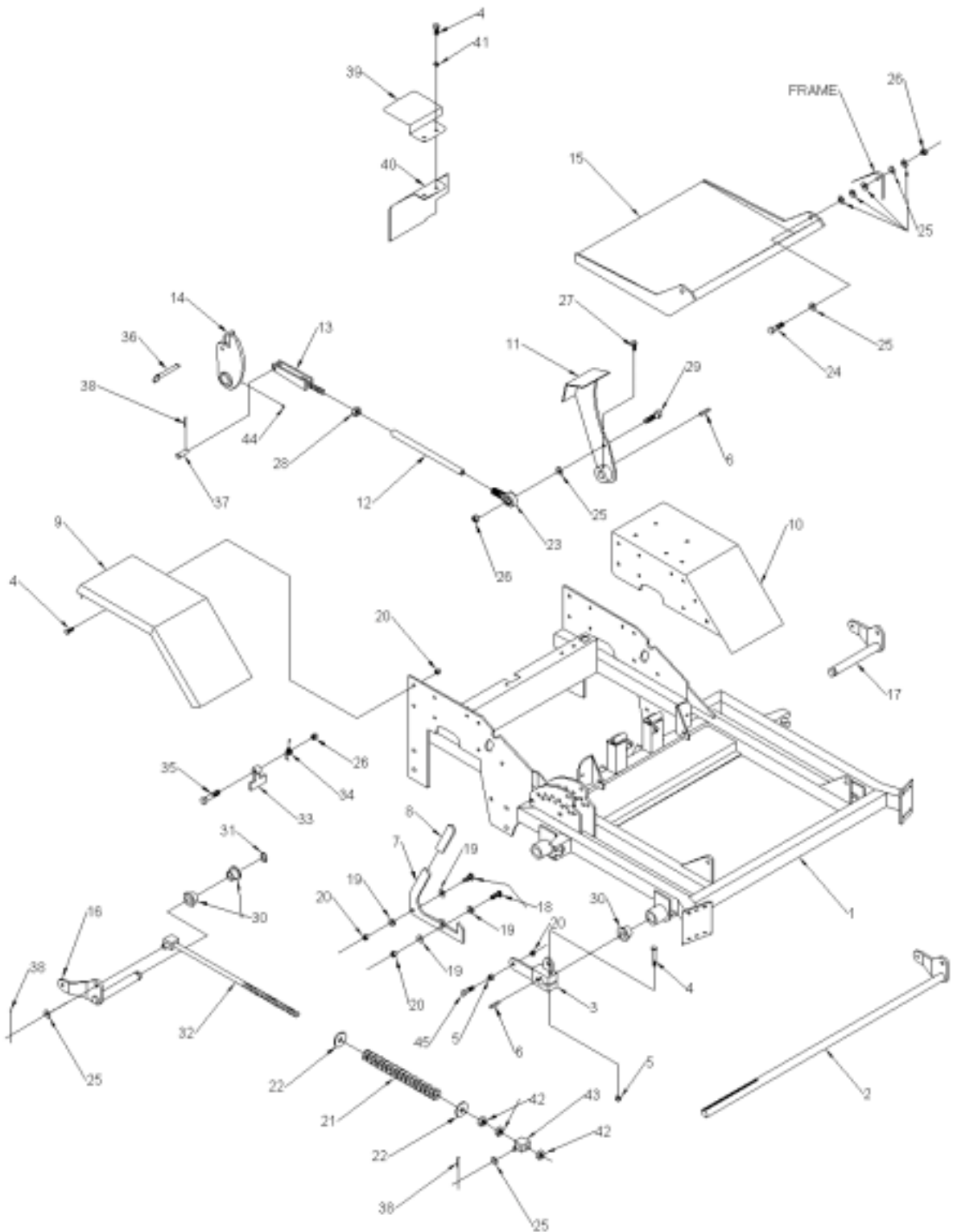
GREAT DANE POWER EQUIPMENT
4700 New Middle Rd.
Jeffersonville, IN. 47130 U.S.A.

Index

Chariot Sr.

	<u>Fig.</u>	<u>Part</u>
Frame	3	4
Kohler Rear Deck	5	6
Kawasaki Rear Deck	7	8
Cutting Deck 52"	9	10
Cutting Deck 61"	11	12
Caster & Chute Assemblies	13	14
Controls, Levers, & Console	15	16
Hydraulic System	17	18
Hydraulic Schematic	19	
Engine Components, (Kohler)	20	22
(Kawasaki)	21	22
Wiring Diagrams (Kohler)	23	
(Kawasaki)	24	
(Kohler, EFI)	25	
Decals	26	

Chariot Sr. Frame

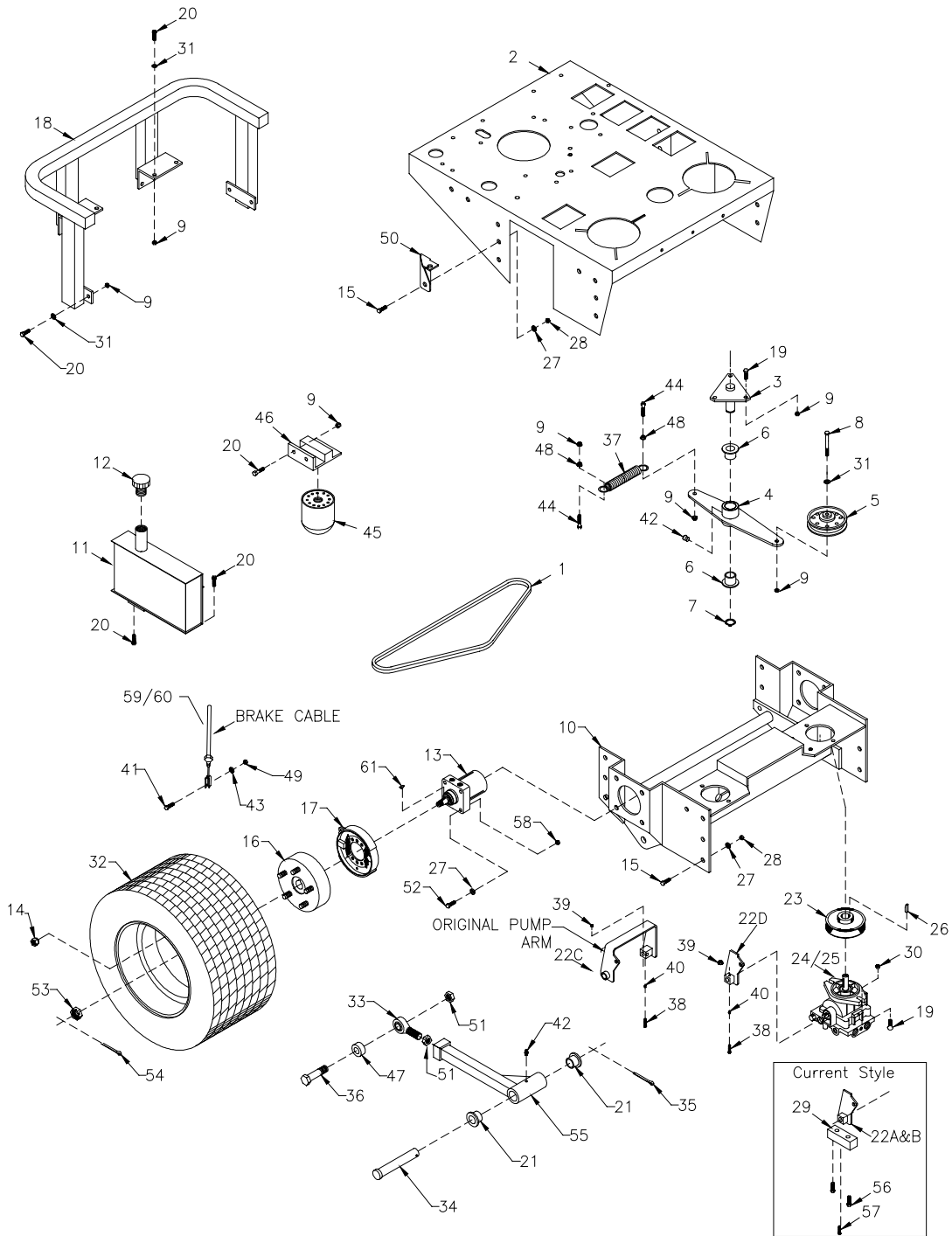




Chariot Sr. Frame

Ref. No.	Part No.	Description	Qty.
1	D26006	Frame Assembly	1
—	Includes	Items 2,3,4,5,6, 11, 27, &30	
2	D25007	Left Lift Arm, Front	1
3	D25008	Right Lift Arm, Front	1
4	D14013	3/8-16 x 1" HHCS	16
5	D14009	3/8" - 16 Flange Nut	4
6	D23039	1/4" Square Key	2
7	D22033	Release Lever	1
8	D18079	Grip	1
9	D25040	Fender Right Side	1
10	D25041	Fender Left Side	1
11	D25046	Foot Pedal , H.O.C.	1
12	D23038	Tube, H.O.C.	1
13	D25015	Yoke, H.O.C.	1
14	D25036	Stop Bracket, H.O.C.	1
15	D25109	Foot Rest	1
16	D25006	Right Lift Arm, Rear	1
17	D25005	Left Lift Arm, Rear	1
18	D14239	3/8" - 16 X 1-1/4" C.H.C.S.	2
19	D14046	3/8" Flat washer	4
20	D14010	3/8" - 16 Nylon Nut	17
21	D28020	Spring, Deck Lift	2
22	D24005	Washer	4
23	D28081	Rod End	2
24	D14056	1/2" - 13 X 1-3/4" H.H.C.S.	2
25	D14105	1/2" Flat Washer	17
26	D14045	1/2" - 13 Nylon Nut	4
27	D14127	1/4" - 20 X 3/4" S.H.C.S.	2
28	D24001	1/2" - 20 Hex. Nut	2
29	D14056	1/2" - 13 x 1 3/4" H.H.C.S.	1
30	D18076	Bushing	8
31	D14104	Retaining Ring	2
32	D25078	Lift Rod	2
33	D25017	Cam Release	1
34	D28021	Spring	1
35	D14063	1/2" - 13 X 3 1/2" H.H.C.S.	1
36	D28072	Pin	1
37	D28033	Clevis Pin	1
38	D14107	Cotter pin 3/32" x 1"	5
39	D22085	Heat Shield, Top	1
40	D22086	Heat Shield, Froot	1
41	D14121	3/8" Spring Lock Washer	2
42	D24003	5/8" - 11 Hex. Nut	6
43	D23049	Swivel	2
44	D18058	Zerk Fitting	1
45	D14015	3/8"-16 X 1-1/2" H.H.C.S.	4

Chariot Sr. Kohler Rear Deck

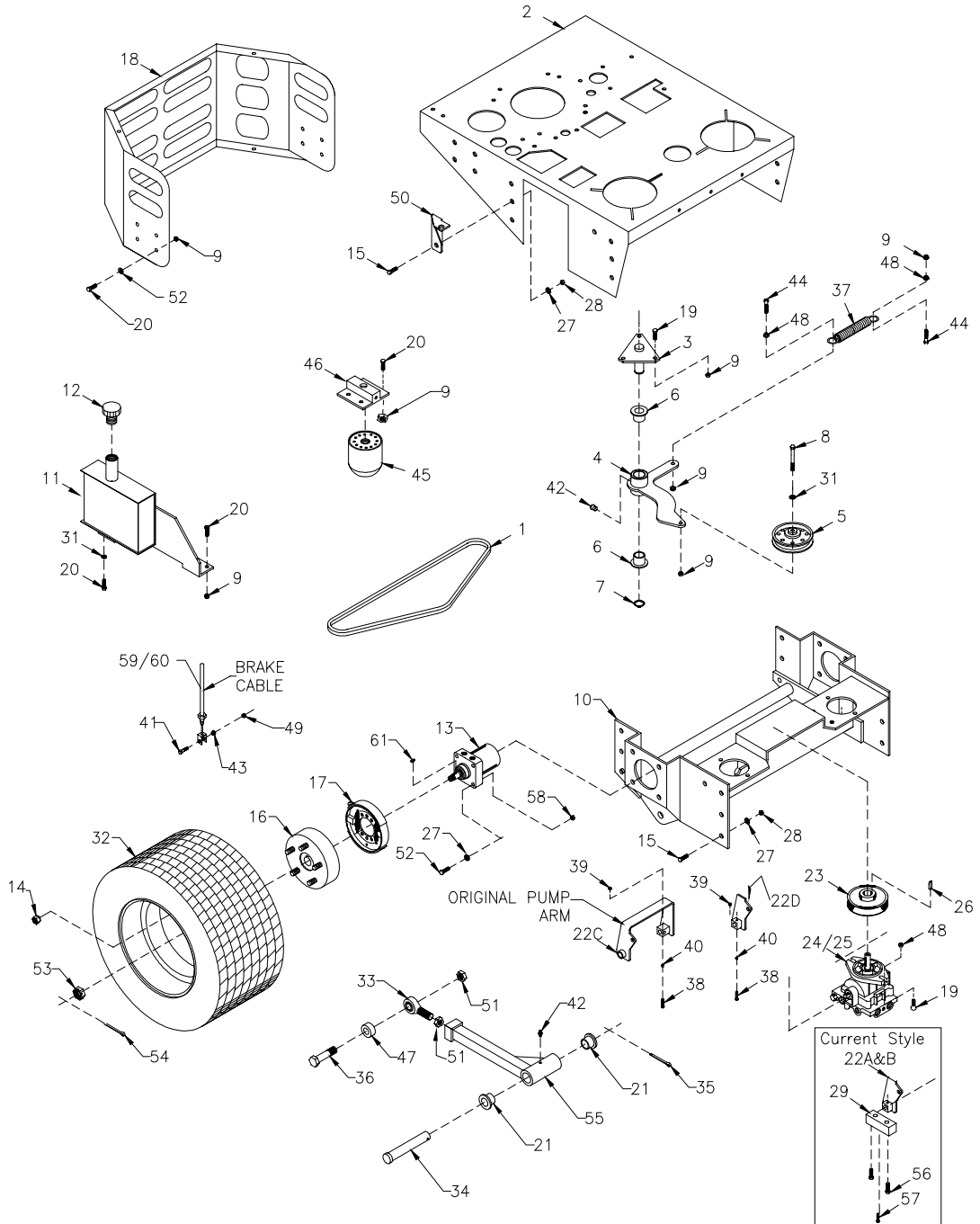




Chariot Sr. Kohler Rear Deck

Ref No.	Part No.	Description	Qty.	Ref No.	Part No.	Description	Qty.
1	D28030	Engine to Pump Belt	1	29	D13336	Pump Block	2
2a	D25011	Rear Deck	1	30	D24030	3/8" - 16 Top Lock	4
2b	D25151	Rear Deck, EFI	1	31	D14121	3/8" Split Lock Washer	11
3	D15027	Idler Base Weldment	1	32a	D28092	Drive Wheel, 23 - 10.5 X 12"	2
4	D25043	Idler Arm Weldment	1	32b	D28261	Drive Wheel, 24 - 12 X 12"	2
5	D18044	Idler Pulley	1	32c	D28154	Drive Wheel, 23 - 9.5 X 12"	2
6	D18003	Bushing	2	33	D28084	Rod End	2
7	D14104	1" External Retaining Ring	1	34	D28024	Clevis Pin	2
8	D14019	3/8 -16 X 2-1/2" HHCS	1	35	D28102	Cotter Pin	2
9	D14010	3/8 -16 Nylon Nut	18	36	D24010	3/4 - 16 X 3" HHCS	2
10	D25000	Hydro Weldment	1	37	D18071	Idler Spring	1
11	D25016	Oil Tank Weldment	1	38	D14241	10 - 32 X 1-1/4 HHCS	2
12a	D18081	Oil Fill Cap (Metal)	1	39	D14240	10 - 32 Nylon Nut	2
12b	D18333	Oil Fill Cap (Plastic)	1	40	D33024	Tube	2
13	D28098	Wheel Motor	2	41	D14147	5/16" - 18 X 1-1/2" HHCS	2
14	D14192	Lug Nut	10	42	D18058	Zerk Fitting	3
15	D14056	1/2 -13 X 1-3/4" Hex Tap Bolt	2	43	D14205	5/16" - 18 Serr. Flange Nut	2
16	D28088	Brake Drum	2	44	D14015	3/8 -16 X 1-1/2" HHCS	4
17	D28089	Cam Brake	2	45	D18094	Oil Filter - only	1
18a	D25021	Rear Bumper	1	46	D18075	Oil Filter Assembly	1
18b	D25148	Rear Bumper, EFI	1	47	D23031	Bushing	2
19	D14008	3/8 -16 X 1" Carriage Bolt	7	48	D14009	3/8" - 16 Serr. Flange Nut	3
20	D14013	3/8 -16 X 1" HHCS	13	49	D14081	5/16" - 18 Nylon Nut	2
21	D18076	Press Bushing	4	50a	D25024	RH Brake Bracket	1
NS-22a	D25146	RH Block Pump Arm	1	NS-50b	D25028	LH Brake Bracket	1
22b	D25147	LH Block Pump Arm	1	51	D24008	3/4 - 16 Nylon Nut	2
Block Arms are used when both pump trunnion shafts point in-wards				52	D14058	1/2"-13 X 2-1/4" HHCS	8
22c	D25037	RH Pump Arm	1	53	D14193	Castle Nut	2
22d	D25038	LH Pump Arm	1	54	D14194	Cotter Pin 1/8"	2
These Arms are used when pump trunnion shafts point towards Operators Left				55a	D25001	RH Thrust Arm	1
23	D18043	Pulley w/Set Screws	2	NS-55b	D25002	LH Thrust Arm	1
24a	D28228	RH Hydraulic Pump,BDP10A-203	1	56	D14264	1/4 - 28 X 1-1/4" HHCS	4
NS-24b	D28227	LH Hydraulic Pump,BDP10A-101	1	57	D14281	M5 X M30 Roll Pin	2
NS-25	D28040	Hydraulic Pump,BDP10L-300P	2	58	D24014	1/2"-13 Center Lock Nut	8
26	D18067	Key, M5 X M30	2	59	D28099	RH Brake Cable	1
27	D14111	1/2" Split Lock Washer	15	60	D28100	LH Brake Cable	1
28	D14112	1/2" - 13 Hex Nut	15	61	D18207	5/16" X 3/4" Woodruff Key #B	1

Chariot Sr. Kawasaki Rear Deck

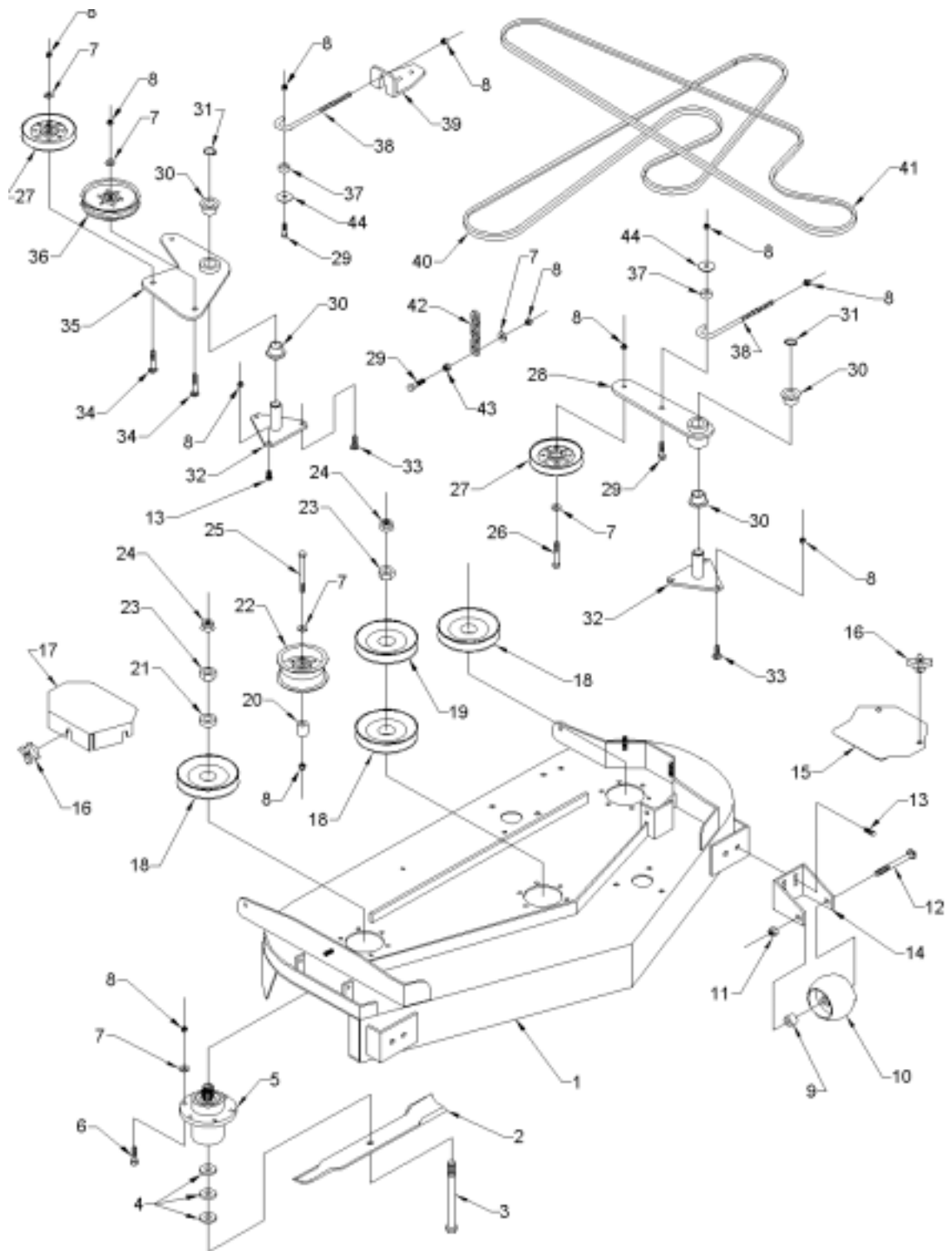




Chariot Sr. Kawasaki Rear Deck

Ref No.	Part No.	Description	Qty.	Ref No.	Part No.	Description
1	D28125	Engine to Pump Belt	1	30	D24030	3/8" - 16 Top Lock
2a	D25102	Rear Deck	1	31	D14121	3/8" Split Lock Washer
3	D15027	Idler Base Weldment	1	32a	D28092	Drive Wheel, 23 - 10.5 X 12"
4	D25059	Idler Arm Weldment	1	32b	D28261	Drive Wheel, 24 - 12 X 12"
5	D18044	Idler Pulley	1	32c	D28154	Drive Wheel, 23 - 9.5 X 12"
6	D18003	Bushing	2	33	D28084	Rod End
7	D14104	1" External Retaining Ring	1	34	D28024	Clevis Pin
8	D14019	3/8 -16 X 2-1/2" HHCS	1	35	D28102	Cotter Pin
9	D14010	3/8 -16 Nylon Nut	18	36	D24010	3/4 - 16 X 3" HHCS
10	D25000	Hydro Weldment	1	37	D18071	Idler Spring
11	D25045	Oil Tank Weldment	1	38	D14241	10 - 32 X 1-1/4 HHCS
12a	D18081	Oil Fill Cap (Metal)	1	39	D14240	10 - 32 Nylon Nut
12b	D18333	Oil Fill Cap (Plastic)	1	40	D33024	Tube
13	D28098	Wheel Motor	2	41	D14147	5/16" - 18 X 1-1/2" HHCS
14	D14192	Lug Nut	10	42	D18058	Zerk Fitting
15	D14056	1/2 -13 X 1-3/4" Hex Tap Bolt	2	43	D14205	5/16" - 18 Serr. Flange Nut
16	D28088	Brake Drum	2	44	D14015	3/8 -16 X 1-1/2" HHCS
17	D28089	Cam Brake	2	45	D18094	Oil Filter - only
18	D25103	Rear Bumper	1	46	D38045	Oil Filter Assembly
19	D14008	3/8 -16 X 1" Carriage Bolt	7	47	D23031	Bushing
20	D14013	3/8 -16 X 1" HHCS	13	48	D14009	3/8" - 16 Serr. Flange Nut
21	D18076	Press Bushing	4	49	D14081	5/16" - 18 Nylon Nut
NS-22a	D25146	RH Block Pump Arm	1	50a	D25024	RH Brake Bracket
22b	D25147	LH Block Pump Arm	1	NS-50b	D25028	LH Brake Bracket
Block Arms are used when both pump trunnion shafts point in-wards				51	D24008	3/4 - 16 Nylon Nut
22c	D25037	RH Pump Arm	1	52	D14058	1/2"-13 X 2-1/4" HHCS
22d	D25038	LH Pump Arm	1	53	D14193	Castle Nut
These Arms are used when pump trunnion shafts point towards Operators Left				54	D14194	Cotter Pin 1/8"
23	D18043	Pulley w/Set Screws	2	55a	D25001	RH Thrust Arm
24a	D28228	RH Hydraulic Pump, BDP10A-203	1	NS-55b	D25002	LH Thrust Arm
NS-24b	D28227	LH Hydraulic Pump, BDP10A-101	1	56	D14264	1/4 - 28 X 1-1/4" HHCS
NS-25	D28040	Hydraulic Pump, BDP10L-300P	2	57	D14281	M5 X M30 Roll Pin
26	D18067	Key, M5 X M30	2	58	D24014	1/2"-13 Center Lock Nut
27	D14111	1/2" Split Lock Washer	15	59	D28099	RH Brake Cable
28	D14112	1/2" - 13 Hex Nut	15	60	D28100	LH Brake Cable
29	D13336	Pump Block	2	61	D18207	5/16" X 3/4" Woodruff Key #B

52" Chariot Sr. Deck

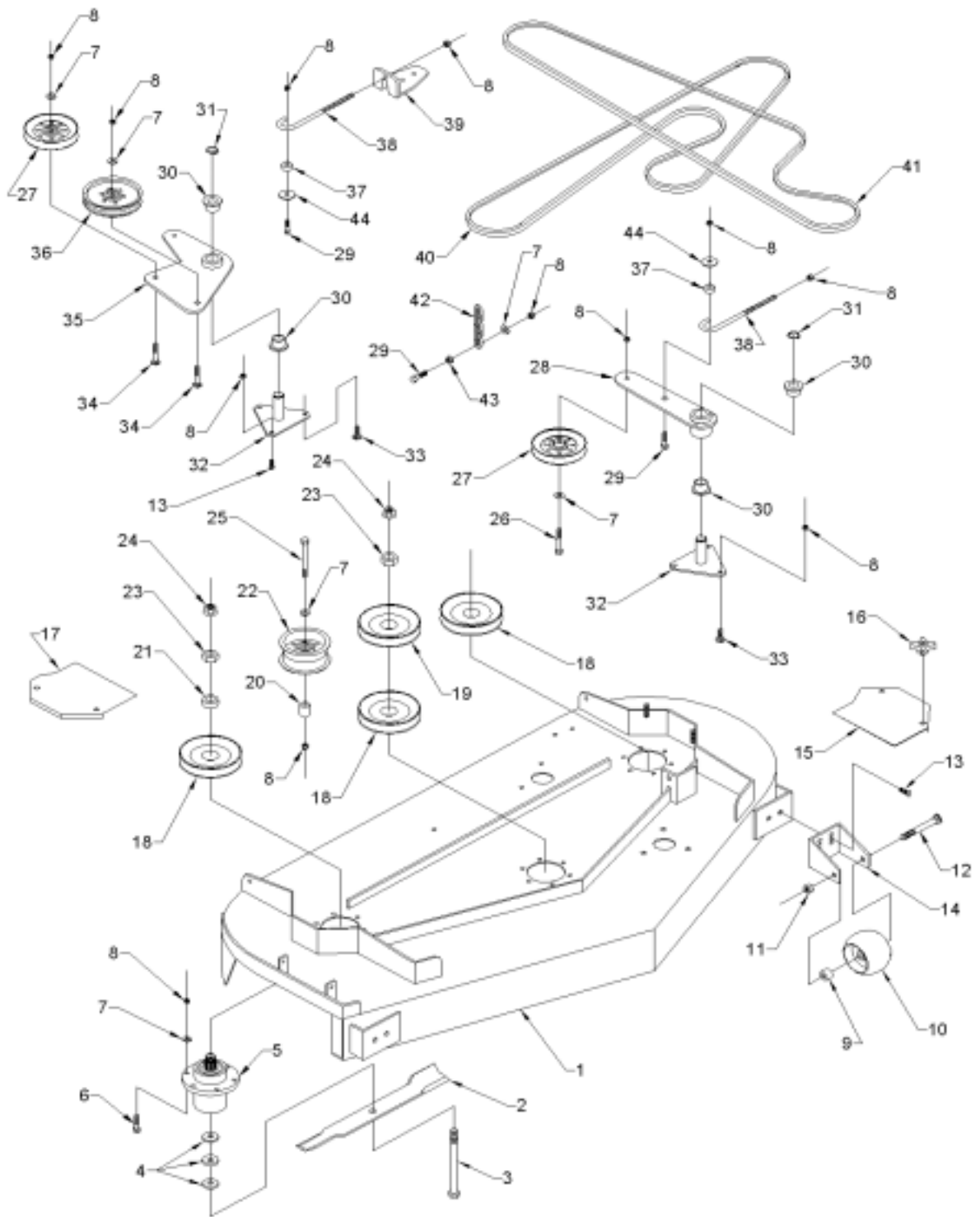




52" Chariot Sr. Deck

Ref. No.	Part No.	Description	Qty.	Ref. No.	Part No.	Description	Qty.
1	D25115	52" Deck Weldment	1	24	D14282	5/8" - 18 Nut	3
2	D18037	Blade, 18"	3	25	D14025	3/8" - 16 X 4" H.H.C.S.	1
3	D14101	5/8" - 18 X 7-1/2" H.H.C.S.	3	26	D14017	3/8" - 16 X 2" H.H.C.S.	1
4	D18055	Washer, Blade	12	27	D18031	Idler Pulley	2
5	D18030	Spindle Assembly	3	28	D25044	Idler Arm	1
6	D14014	3/8" - 16 X 1-1/4" H.H.C.S.	18	29	D14015	3/8" - 16 X 1-1/2" H.H.C.S.	10
7	D14046	3/8" Flat Washer	24	30	D18003	Bushing	4
8	D14010	3/8" - 16 Nylon Nut	31	31	D14104	1" Retaining Ring	2
9	D23024	Roller Spacer	5	32	D15027	Idler Mount Weldment	2
10	D18070	Roller	5	33	D24011	3/8" - 16 X 1" Carriage Bolt	4
11	D24014	1/2" - 13 Center Lock Nut	5	34	D24002	3/8" - 16 X 2" Carriage Bolt	2
12	D24040	1/2" - 13 X 4-1/2" C.H.C.S.	5	35	D25042	Idler Arm	1
13	D14013	3/8" - 16 X 1" H.H.C.S.	12	36	D28050	Idler Pulley	1
14	D22036	Roller Mount	5	37	D13031	Bushing	2
15	D25064	L.H. Hood	1	38	D23040	J - Hook	1
16	D18046	Knob	4	39	D22088	J - Hook Bracket	1
17	D25065	R.H. Hood	1	40	D28031	Belt, Blade to Blade	1
18	D18083	Pulley, Short	2	41a	D28029	Belt, Engine to Blade, Koh.	1
19	D18084	Pulley, Tall	2	41b	D28241	Belt, Engine to Blade, Kaw.	1
20	D23037	Spacer, Idler Pulley	1	42	D28104	Chain	4
21	D13024	Spacer, Pulley	2	43	D14009	3/8" - 16 Flange Nut	4
22	D28105	Idler Pulley	1	44	D14122	Flat Washer	2
23	D13055	7/8" Hex Nut	3				

61" Chariot Sr. Deck

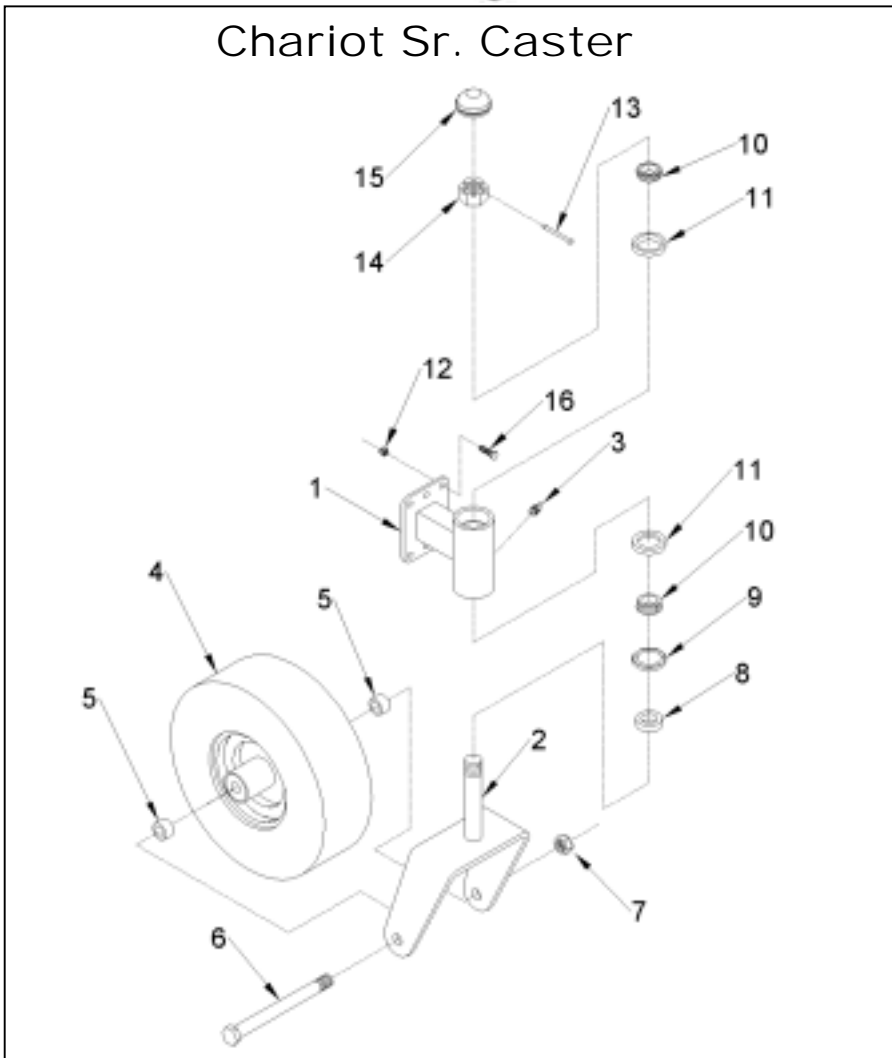




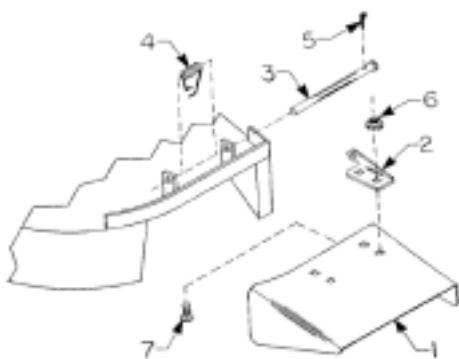
61" Chariot Sr. Deck

Ref. No.	Part No.	Description	Qty.	Ref. No.	Part No.	Description	Qty.
1	D25098	61" Deck Weldment	1	24	D14282	5/8" - 18 Nut	3
2	D18036	Blade, 21"	3	25	D14025	3/8" - 16 X 4" H.H.C.S.	1
3	D14108	5/8" - 18 X 7-1/2" H.H.C.S.	3	26	D14017	3/8" - 16 X 2" H.H.C.S.	1
4	D18055	Washer, Blade	12	27	D18031	Idler Pulley	2
5	D18030	Spindle Assembly	3	28	D25044	Idler Arm	1
6	D14014	3/8" - 16 X 1-1/4" H.H.C.S.	18	29	D14015	3/8" - 16 X 1-1/2" H.H.C.S.	10
7	D14046	3/8" Flat Washer	24	30	D18003	Bushing	4
8	D14010	3/8" - 16 Nylon Nut	31	31	D14104	1" Retaining Ring	2
9	D23024	Roller Spacer	5	32	D15027	Idler Mount Weldment	2
10	D18070	Roller	5	33	D24011	3/8" - 16 X 1" Carriage Bolt	4
11	D24014	1/2" - 13 Center Lock Nut	5	34	D24002	3/8" - 16 X 2" Carriage Bolt	2
12	D24040	1/2" - 13 X 4-1/2" C.H.C.S.	5	35	D25042	Idler Arm	1
13	D14013	3/8" - 16 X 1" H.H.C.S.	12	36	D28050	Idler Pulley	1
14	D22036	Roller Mount	5	37	D13031	Bushing	2
15	D22055	L.H. Hood	1	38	D23040	J - Hook	1
16	D18046	Knob	4	39	D22088	J - Hook Bracket	1
17	D22054	R.H. Hood	1	40	D28028	Belt, Blade to Blade	1
18	D18083	Pulley, Short	2	41a	D28029	Belt, Engine to Blade Kohler 22HP & 25HP	1
19	D18211	Pulley, Tall	2	41b	D28241	Belt, Engine to Blade Kawasaki & Kohler 26EFI	1
20	D23037	Spacer, Idler Pulley	1	42	D28104	Chain	4
21	D13024	Spacer, Pulley	2	43	D14009	3/8" - 16 Flange Nut	4
22	D28105	Idler Pulley	1	44	D14122	Flat Washer	2
23	D13055	7/8" Hex Nut	3				

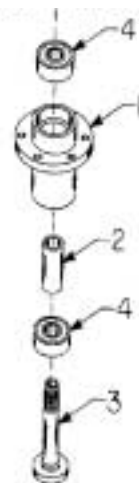
Chariot Sr. Caster



Chute Assembly



Spindle Assembly





Chariot Sr. Caster

Ref. No.	Part No.	Description	Qty.
1	D25096	Caster Support Includes Item # 11	1
2	D25004	Caster Yoke	1
3	D18058	Zerk Fitting	1
4	D38009	Caster Wheel Assembly	1
5	D33007	Spacer, Caster Wheel	2
6	D14117	3/4" - 16 X 8" Caster Bolt	1
7	D24008	3/4" - 16 Top Lock Nut	1
8	D23015	Caster Bushing	1
9	D28053	Seal	1
10	D28051	Bearing	2
11	D28052	Bearing Race	2
12	D14010	3/8" - 16 Nylon Nut	6
13	D14075	Cotter Pin	1
14	D14224	1" - 14 Slotted Hex. Nut	1
15	D28054	Bearing Cap	1
16	D14013	3/8" - 16 X 1" H.H.C.S.	6
NS	D18171	Rim, 13" Caster Wheel	1
NS	D38035	Tapered Bearing w/Race	2
NS	D38065	Seal, 13" Caster Wheel	2
NS	D38067	Spacer Tube, 13" Wheel	1
NS	D38068	Bearing Spacer, 13" Wheel	1

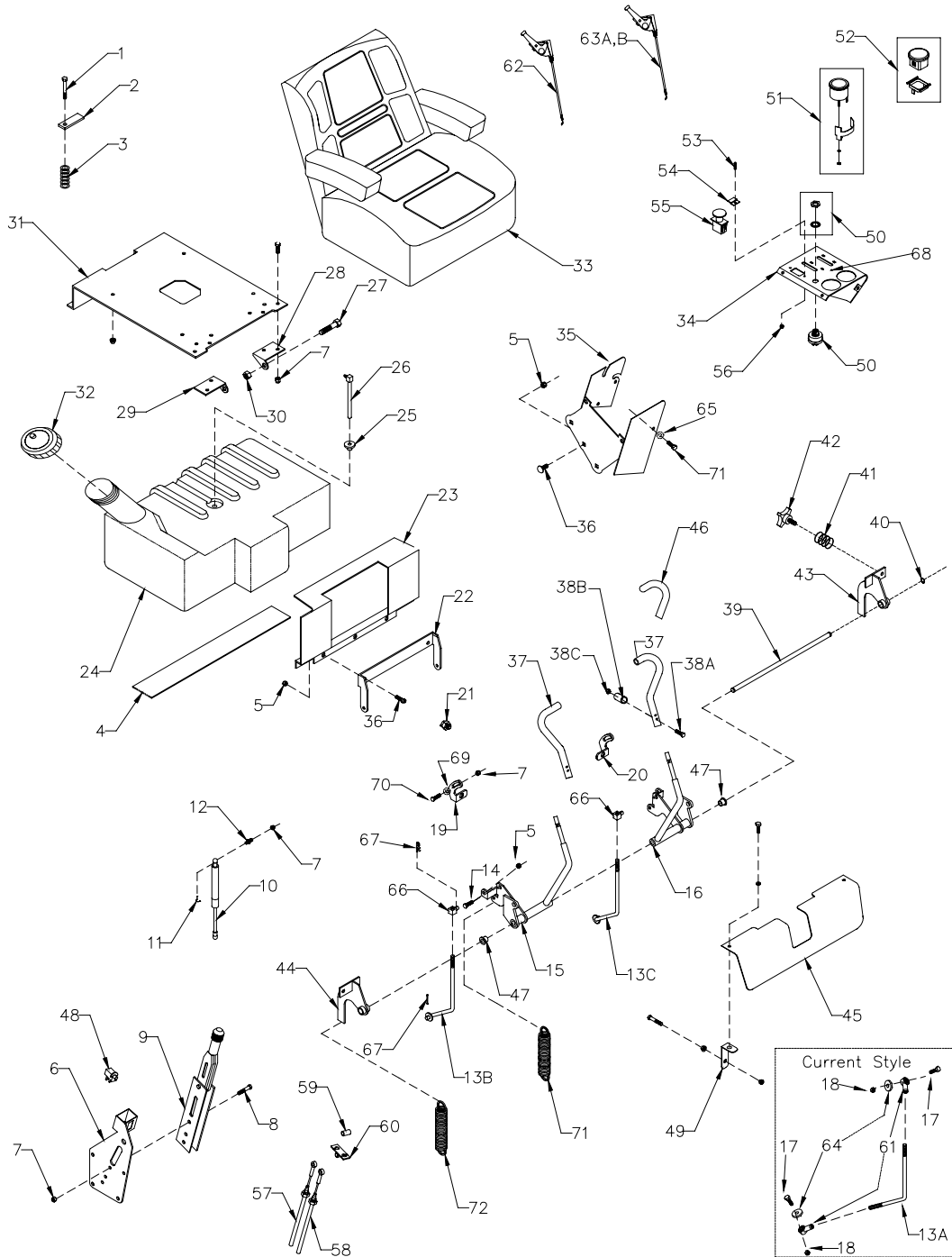
Chute Assembly

Ref. No.	Part No.	Description	Qty.
1	D12007	Chute Deflector, for 52"	1
1	D12008	Chute Deflector, for 61"	1
2	D12006	Hinge, Chute Deflector	2
3	D18060	Rod, Chute Pivot	1
4	D18077	Chute Spring	1
5	D14107	3/32" X 1" Cotter Pin	1
6	D14205	5/16" - 18 Flange Nut	4
7	D14113	5/16" - 18 X 3/4" Carr. Bolt	4

Spindle Assembly

Fig.-Ref.	Part No.	Description	Qty.
7-1	D11000	Cutter Housing Casting	1
7-2	D18033	Bearing Spacer	1
7-3	D18048	Spindle Shaft	1
7-4	D18045	Bearing 6305	2

Chariot Sr. Controls

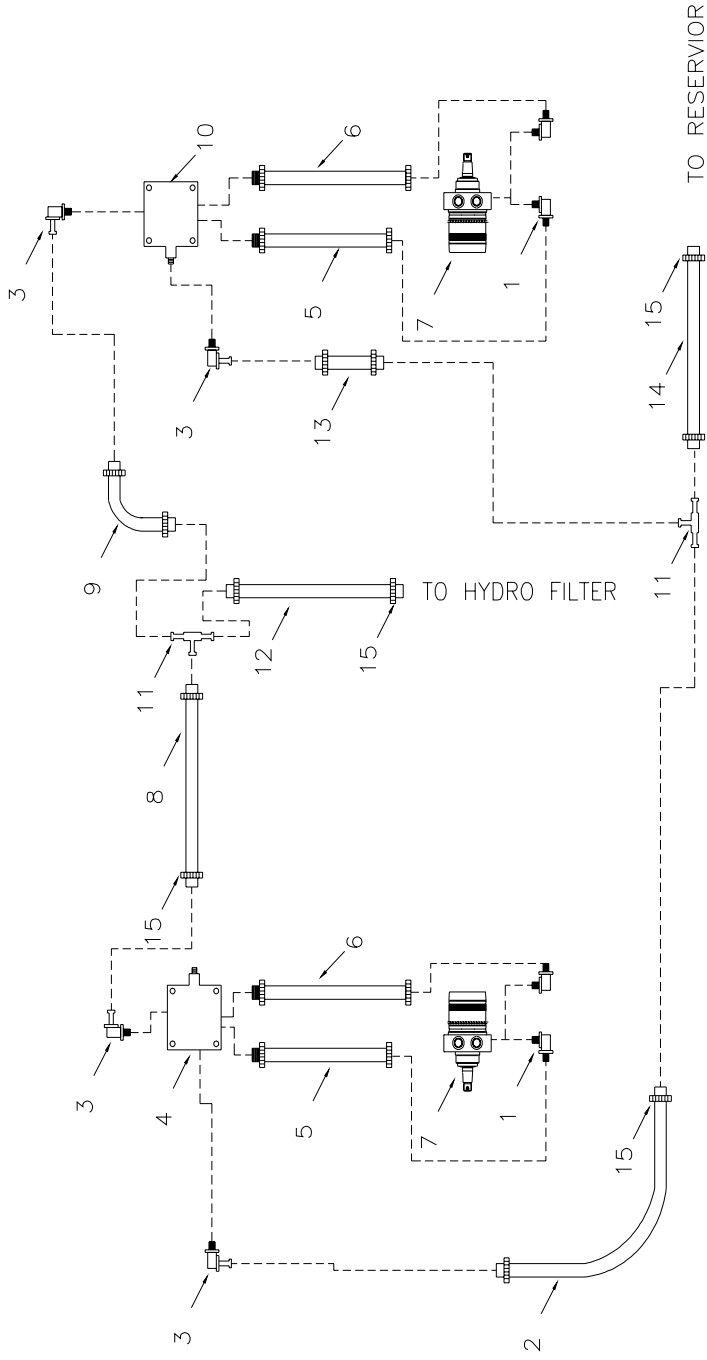




Chariot Sr. Controls

Ref. No.	Part No.	Description	Qty.	Ref. No.	Part No.	Description	Qty.
1	D14066	1/2" - 13 X 4-1/2" H.H.C.S.	1	36	D14008	3/8" - 16 X 1" Carriage Bolt	3
2	D22091	Seat Tab	1	37	D28212	Upper Control Lever	2
3	D18078	Spring	1	38a	D14130	1/4"-20 X 1-1/4" HHCS	2
4	D28043	Rubber Strip	1	38b	D23072	Bushing	2
5	D14010	3/8" - 16 Nylon Nut	5	38c	D14259	1/4"-20 Nylon Nut	2
6	D25018	Brake Lever Mount	1	39	D23017	Pivot Rod	1
7	D14081	5/16" - 18 Nylon Nut	5	40	D14109	1/2" Retaining Ring	2
8	D14148	5/16" -18 X 1-3/4" H.H.C.S.	3	41	D18074	Spring	2
9	D28019	Brake Lever Assembly	1	42	D18047	Knob	2
10	D28152	Dampener	2	43	D25034	Rear Direction arm, Left	1
11	D28153	Retainer Clip	4	44	D25035	Rear Direction arm, Right	1
12	D28113	5/16"-18 BALL STUD	4	45	D22124	Control Cover	1
13a	D23074	Control Rod	2	46	D18093	Grip	2
13b	D23033	RH Control Rod - N/A	1	47	D18013	Pivot Bushing	4
13c	D23034	LH Control Rod - N/A	1	48	D28041	Switch	1
14	D14017	3/8" - 16 X 2" H.H.C.S.	2	49	D25074	Cover Mount	2
15	D25122	Lower Control Lever, Left	1	50	D18091	Ignition Switch	1
16	D25123	Lower Control Lever, Right	1	51	D18109	Hour Meter	1
17	D14014	3/8" - 16 X 1-1/4" H.H.C.S.	4	52	D28108	Amp Meter	1
18	D24013	3/8" - 16 Top Lock Nut	4	53	D24020	#8 Machine Screw	2
19	D22090	Switch Mount, Right	1	54	D12106	Switch Tab	2
20	D22092	Switch Mount, Left	1	55	D38005	Blade Switch	1
21	D28069	Neutral Switch	2	56	D24021	#8 Nylon Nut	2
22	D22244	Dampener Mount	1	57	D28100	Brake Cable, Left	1
23	D22089	Fuel Tank Bracket	1	58	D28099	Brake Cable, Right	1
24	D28145	Fuel Tank Assembly	1	59	D23062	Spacer Tube	1
		Includes Items 25, 26, & 32		60	D25014	Retainer, Brake Cable	1
25	D18144	Grommet	1	61	D28184	Rod End	4
26	D28039	Fuel Line, Pick-Up	1	62	D28034	Choke Cable, Kohler	1
27	D14063	1/2" - 13 X 3-1/2" H.H.C.S.	2	63a	D28035	Throttle Cable, Kohler 22-25	1
28	D22227	Seat Mount, Left	1	63b	D28248	Throttle Cable, Kohler EFI	1
29	D22229	Seat Mount, Right	1	63c	D28225	Throttle Cable, Kawasaki	1
30	D14045	1/2" - 13 Nylon Nut	2	64	D14046	3/8" Flat Washer	8
31	D22170	Seat Plaet	1	65	D14206	5/16" Spring Lock Washer	2
32	D18097	Fuel Cap	1	66	D33002	3/8"-24 Swivel	2
33	D28183	Seat (Standard)	1	67	D14006	1/4" Hair Pin (R-Clip)	2
NS-33b	D28204	Delux Seat (optional)		68	D28249	Light, EFI	1
NS-33c	D28226	Suspension Seat (optional)		69	D24017	5/16" Star Lock Washer	2
34	D25048	Console	1	70	D14145	5/16" - 18 X 1" H.H.C.S.	2
35	D25047	Console Mount	1	71	D28022	Spring	2
				72	D38002	Spring	2

Chariot Sr. Hydraulics

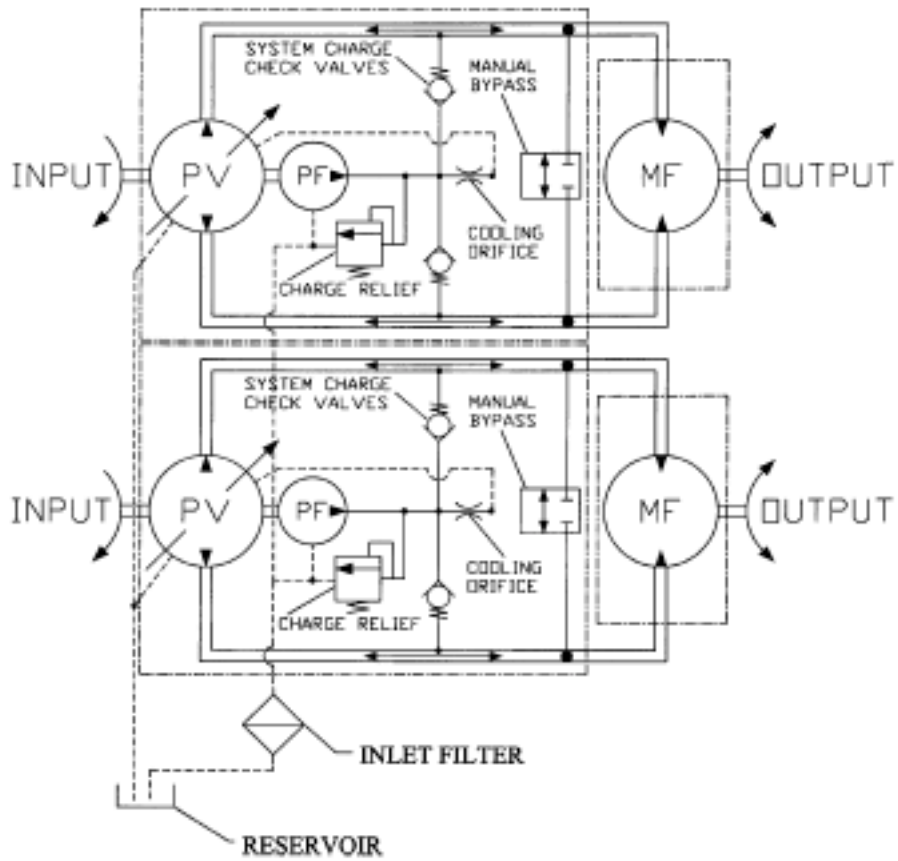




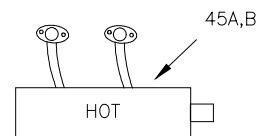
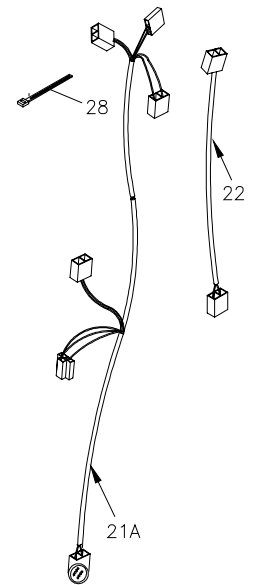
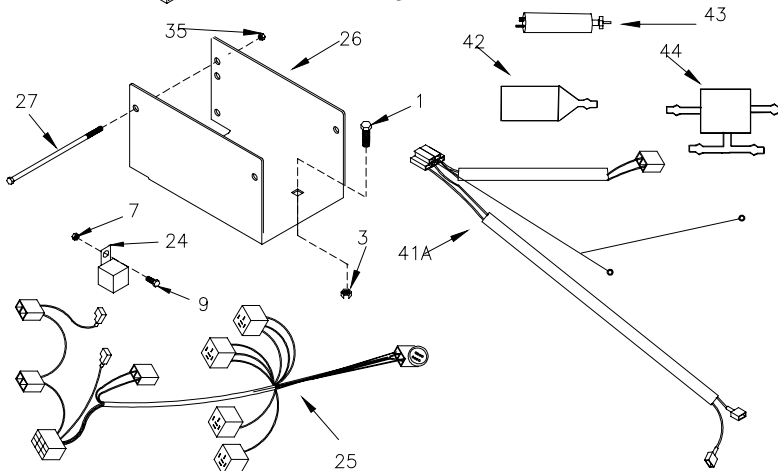
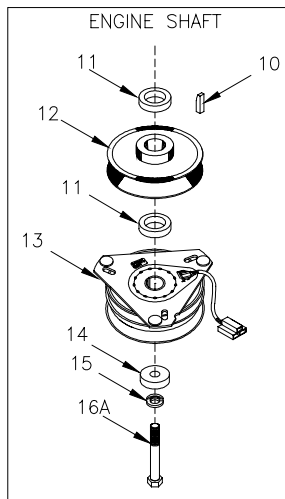
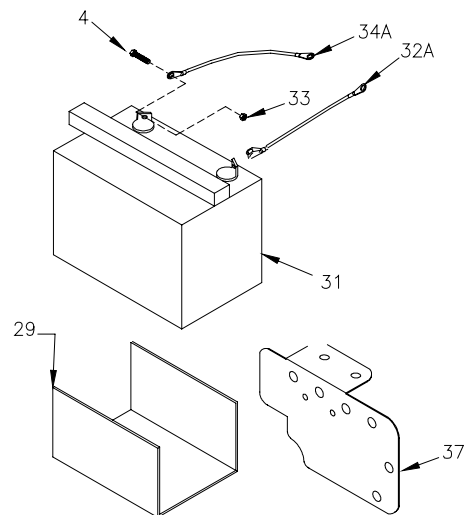
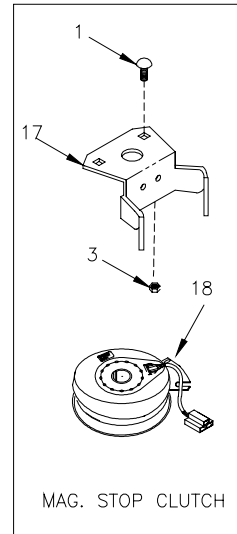
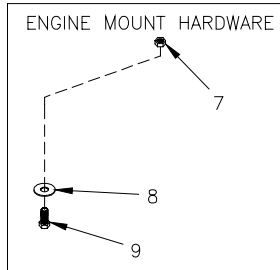
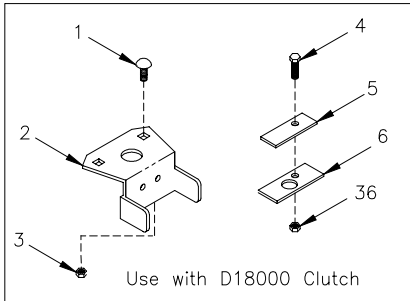
Chariot Sr. Hydraulics

Ref. No.	Part No.	Description	Qty.
1	D24026	90 Degree Boss fitting w/O-Ring	4
2	D28232	3/8" LP Hose, 22 1/2" Length	1
3	D24028	90 Degree fitting w/3/8" Port Tube	4
4a	D28227	LH Hydro Pump, BDP 10A-101 *Current Design	1
4b	D28040	Hydro Pump, BDP 10L-300P *Original Design	1
5	D28027	High Pressure Hose, Short	2
6	D28026	High Pressure Hose, Long	2
7	D28098	Wheel Motor	2
8	D28229	3/8" LP Hose, 17 3/4" Length	1
9	D28230	3/8" LP Hose, 7 1/4" Length	1
10a	D28228	RH Hydro Pump, BDP 10A-203 *Current Design	1
10b	D28040	Hydro Pump, BDP 10L-300P *Original Design	1
11	D28079	Tee fitting w/3 - 3/8" Port Tubes	2
12	D28231	3/8" LP Hose, 29" Length	1
13	D28233	3/8" LP Hose, 4" Length	1
14	D28231	3/8" LP Hose, 29" Length	1
15	D18379	Hose Clamp	12
NS-16a	D28057	Hose, Oil Reservoir to Oil Filter/Kohler	1
NS-16b	D28163	Hose, Oil Reservoir to Oil Filter/Kawasaki	1

Chariot Sr. Hydraulics

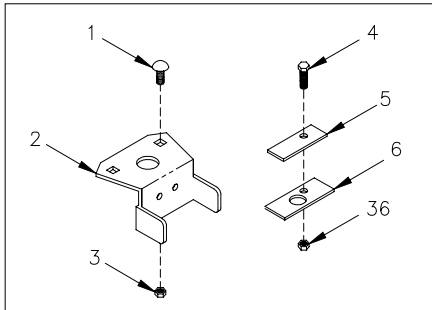


Chariot Sr. Kohler Engine Components

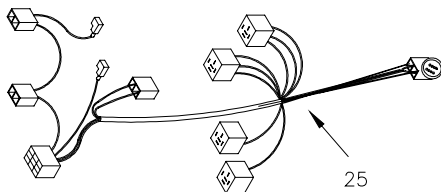
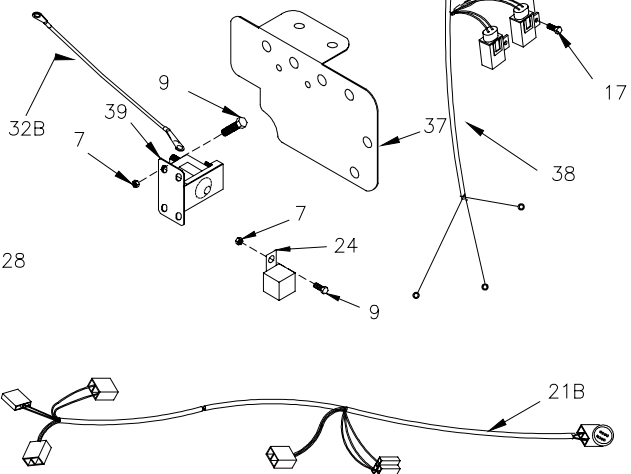
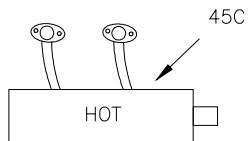
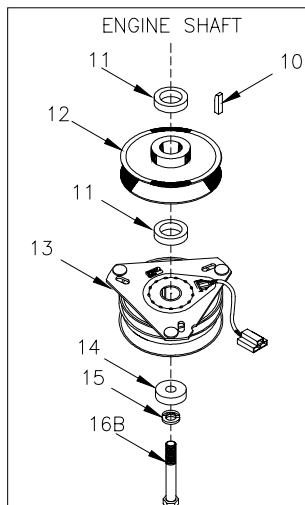
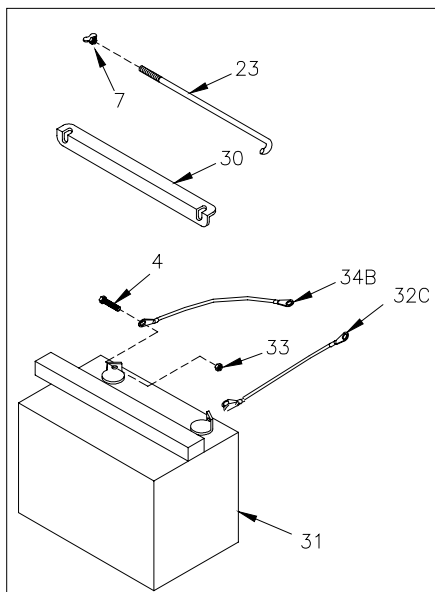
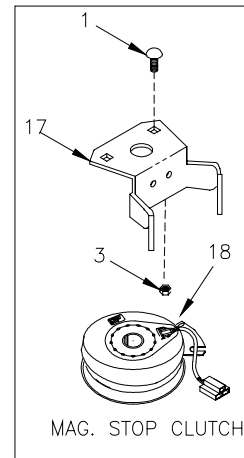
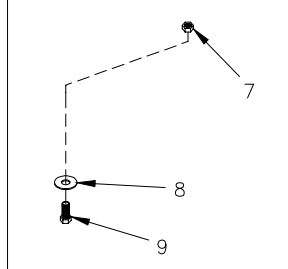


Chariot Sr. Kawasaki Engine Components

USE WITH D18000 CLUTCH



ENGINE MOUNT HARDWARE





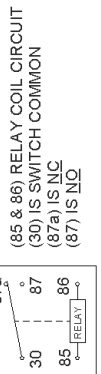
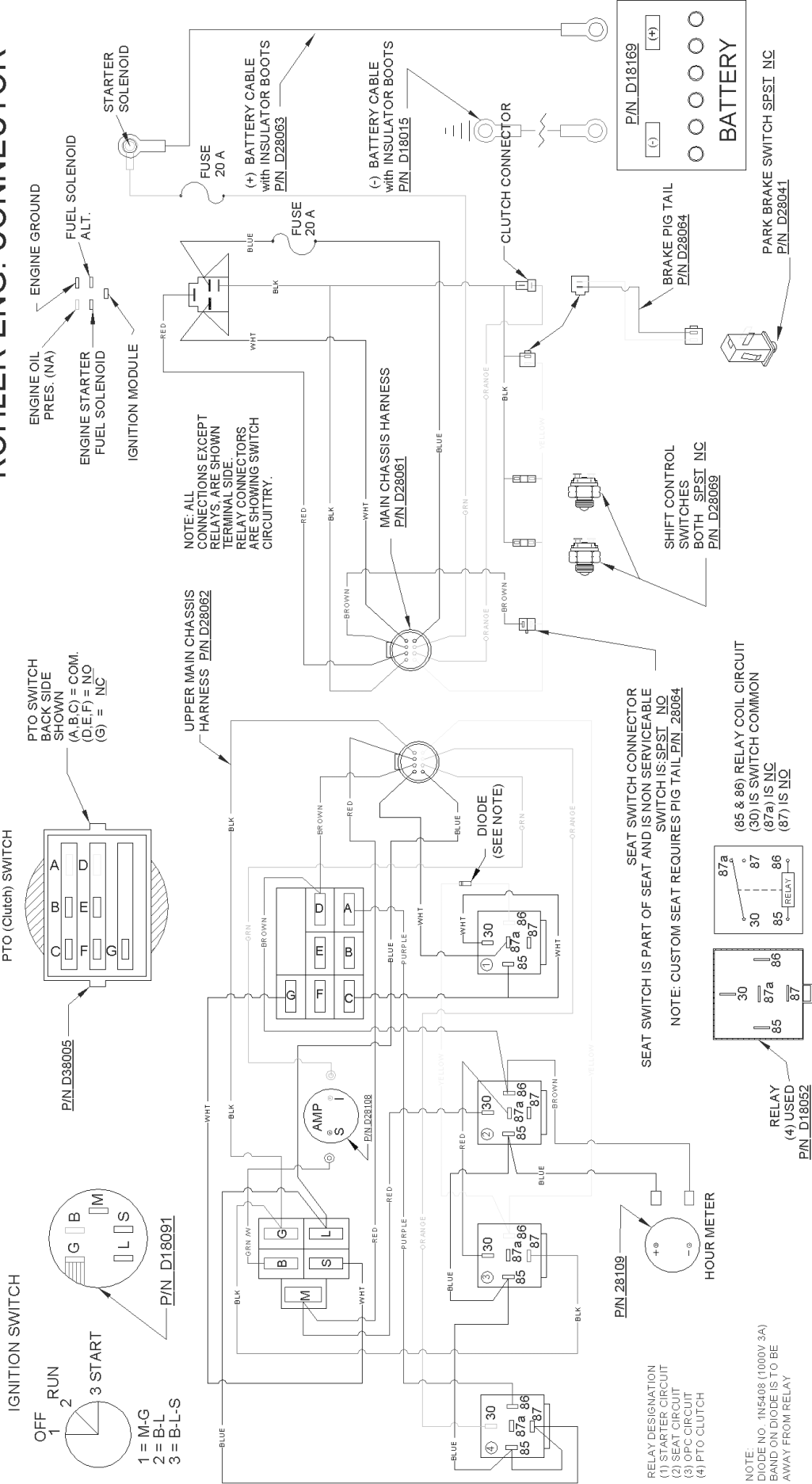
Chariot Sr. Engine Components of Kohler & Kawasaki Engines

Ref. No.	Part No.	Description	Qty.	Ref. No.	Part No.	Description	Qty.
Kaw. part	FH680V-BS04	Engine - 23H.P. KAWASAKI	1	22	D28018	Pigtail, for Brake	1
Kaw. part	FH721V-AS08	Engine - 25H.P. KAWASAKI	1	23	D23047	1/4" J-Bolt (Battery Rod)	2
Kohler part	PS-67547	Engine - 22H.P. Kohler	1	24	D18052	Relay	4
Kohler part	PS-69528	Engine - 25H.P. Kohler	1	25	D28062	Upper Wiring Harness	1
Kohler part	PS-75912	Engine - 26H.P. Kohler EFI	1	26	D22215	Battery Tray	1
1	D24011	3/8"-16 X 1" Carriage Bolt	6	27	D14158	5/16-18 X 6" HHCS	2
2	D12027	Clutch Retainer Bracket	1	28	D28160	Wire Ties	6
3	D14110	3/8"-16 Nyloc Nut	2	29	D28159	Battery Strip, Rubber	1
4	D14145	5/16-18X1 HHCS	3	30	D22180	Battery Bar	1
5	D12043	Support	1	31	D18169	Battery	1
6	D18068	Clutch Bumper (rubber)	1	32a	D28063	Positive Battery Cable (39")	1
7	D14044	1/4"-20 Nut	4	32b	D28117	Positive Battery Cable (6")	1
8	D14210	1/4" Split Lock Washer	4	32c	D28118	Positive Battery Cable (11")	1
9	D14131	1/4-20 X 1 1/2 HHCS	4	32d	D28251	Positive Battery Cable (19")	1
10	D18145	Key, sq. 1/4" taper	1	33	D14205	5/16-18 Serr. Flange Nut	2
11	D13008	Bushing (only used w / Ref. #12a)	2	34a	D18015	Negative Battery Cable (37")	1
12a	D28091	Pulley 5.5 " w/o HUB	1	34b	D28119	Negative Battery Cable (14")	1
12b	D28091	Pulley 5.5 " w/HUB	1	35	D14203	5/16-18 Center Lock Nut	2
13	D18000	Clutch, Elec.	1	36	D14081	5/16-18 Nyloc Nut	1
14	D18056	Spacer	1	37	D22174	Relay Shroud	1
15	D14208	7/16 Split Lock Washer	1	38	D28237	Solenoid Harness	1
16a	D24023	7/16-20 x 3" HHCS	1	39	D28158	Solenoid	1
16b	D24022	7/16-20 x 2-1/2" HHCS	1	40	D28064	Wiring Harness - Safety pigtail	1
17	D25153	Retainer Brkt., Mag. Stop	8	41a	D28246	Pigtail, Kohler EFI	1
18	D38155	Mag. Stop Clutch	1	41b	D38016	Pigtail, Kawasaki	1
NS-19a	D28035	Throttle Cable, Kohler	1	42	Kohler Part	EFI Fuel Filter	1
NS-19b	D28225	Throttle Cable, Kawasaki	1	43	Kohler Part	EFI Fuel Pump	1
NS-19c	D28248	Throttle Cable, Kohler EFI	1	44	Kohler Part	EFI Regulator	1
20	D14124	10-24 Nylon Nut	8	45a	Kohler Part	Muffler - 26 HP Kohler EFI	1
21a	D28061	Main Wiring Harness, Kohler	1	45b	D28121	Muffler - 22 & 25 HP Kohler	1
21b	D28238	Main Wiring Harness, Kawasaki	1	45c	D28161	Muffler - 23 & 25 HP Kawasaki	1

SR CHARIOT

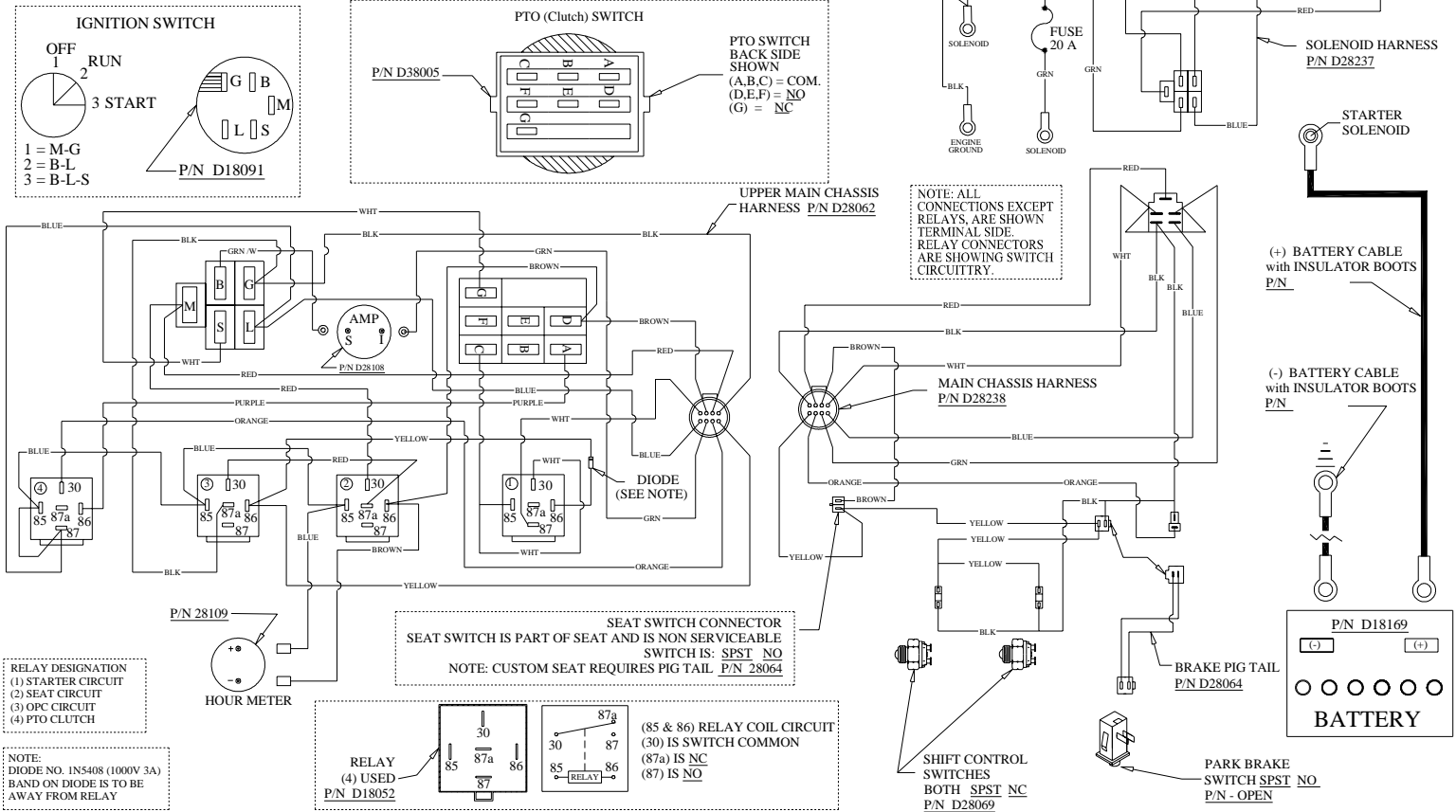
KOHLER ENGINE

KOHLER ENG. CONNECTOR



SEAT SWITCH CONNECTOR
 SEAT SWITCH IS PART OF SEAT AND IS NON SERVICEABLE
 SWITCH IS: SPST NO
 NOTE: CUSTOM SEAT REQUIRES PIG TAIL P/N 28064

SR CHARIOT KAWASAKI ENGINE



The Kohler EFI Wiring
Diagram is not available at
this time.

Chariot Sr. Decals



Ref. No.	Part No.	Description	Qty.
1	D18027	Great Dane Logo	1
2	D28086	CHARIOT	1
3	D18026	Danger	1
4	D28045	Paw Print	1
5	D18025	Caution Small	1
6	D18024	Caution Large	1
7	D38115	Great Dane Logo (sm.)	1
8	D18023	Oil Reservoir	1
9	D28047	Belt Tension	1

Ref. No.	Part No.	Description	Qty.
10	D28046	HOC Outboard	1
11	D28087	HOC Inboard	1
12a	D28048	Console Controls, Kohler	1
NS-12b	D28252	Console Controls, Kaw.	1
NS-12c	D28253	Console Controls, EFI	1
13	D18029	61 Logo	1
14	D18028	52 Logo	1
NS-15	D28258	Warning Label, EFI	1